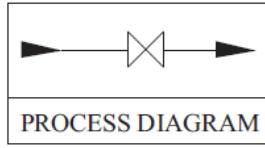


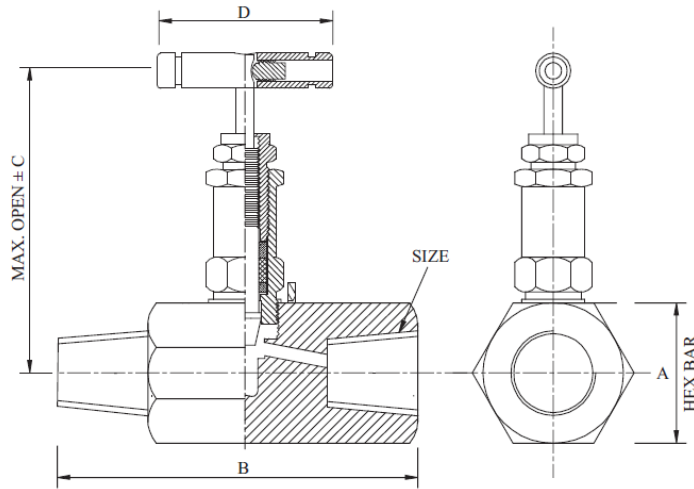
Needle Valves

Hex Needle Valve - Male x Female

Dwg No. IINV/H/MF



Orifice : 4 mm
 Pressure : up to 6000 psi
 Temperature : up to 400°C
 All dimensions in Millimetre



PART NO.	Size	A	B	±C	D
IINV/H/MF/01	1/4"	25	60	92	50
IINV/H/MF/02	3/8"	25	65	92	55
IINV/H/MF/03	1/2"	32	80	98	55
IINV/H/MF/04	3/4"	36	80	114	65